

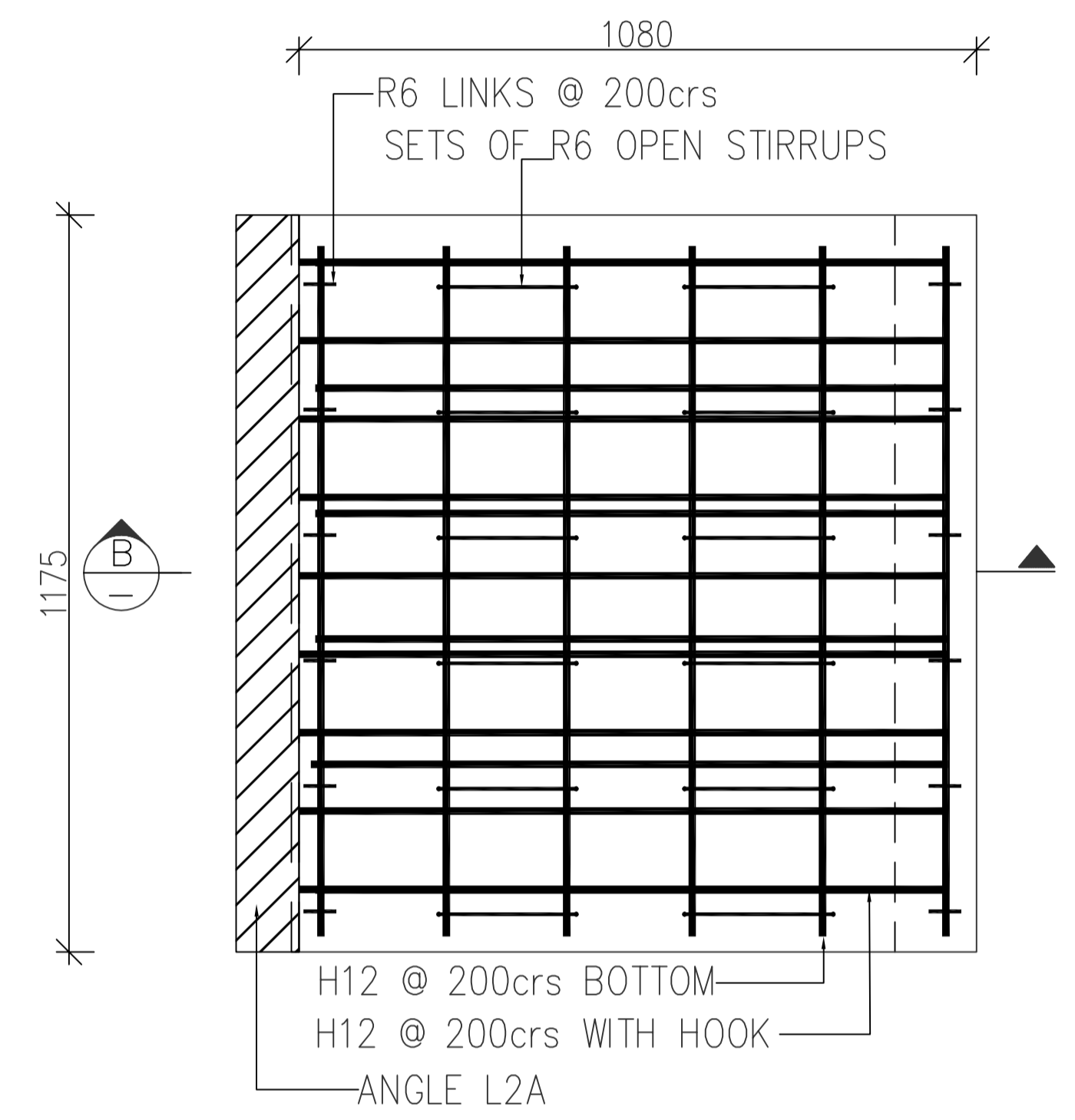
NOTE:  
 MANUFACTURE OF PRECAST WILL NOT COMMENCE  
 UNTIL DRAWINGS ARE SIGNED AND RETURNED  
 APPROVED.

APPROVED ..... DATE .....

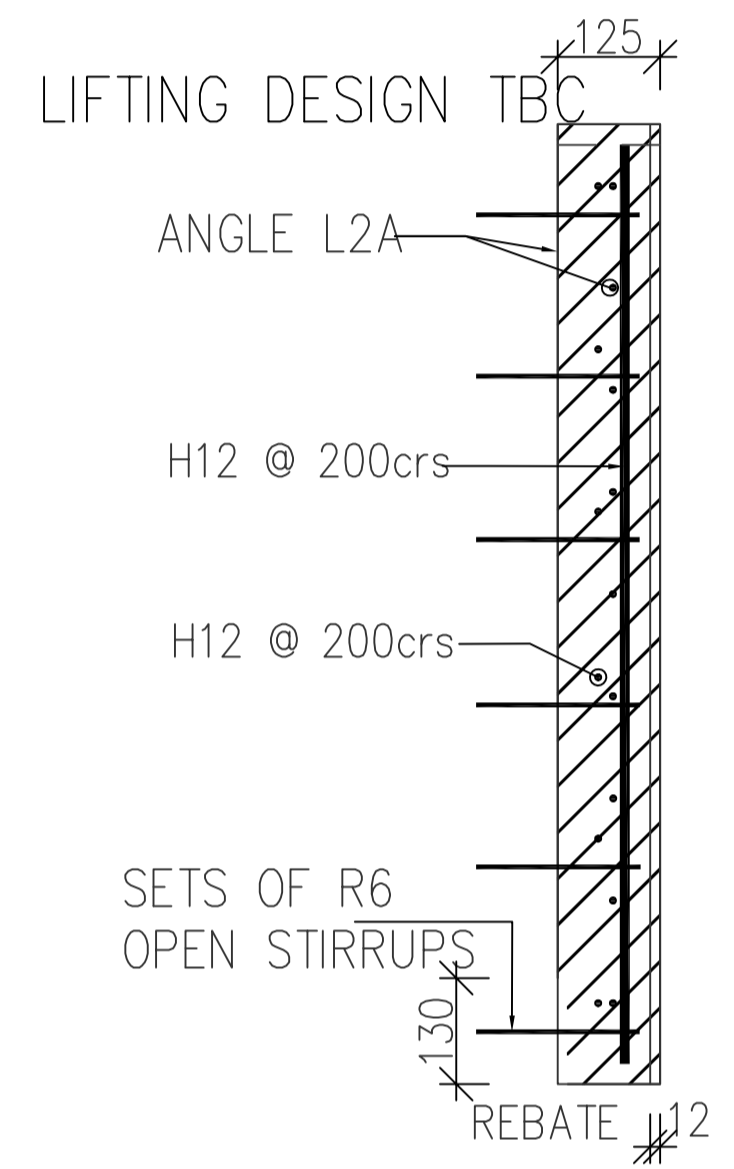
DATE REQUIRED ON SITE .....

SL02 - 1 OF  
 1:20

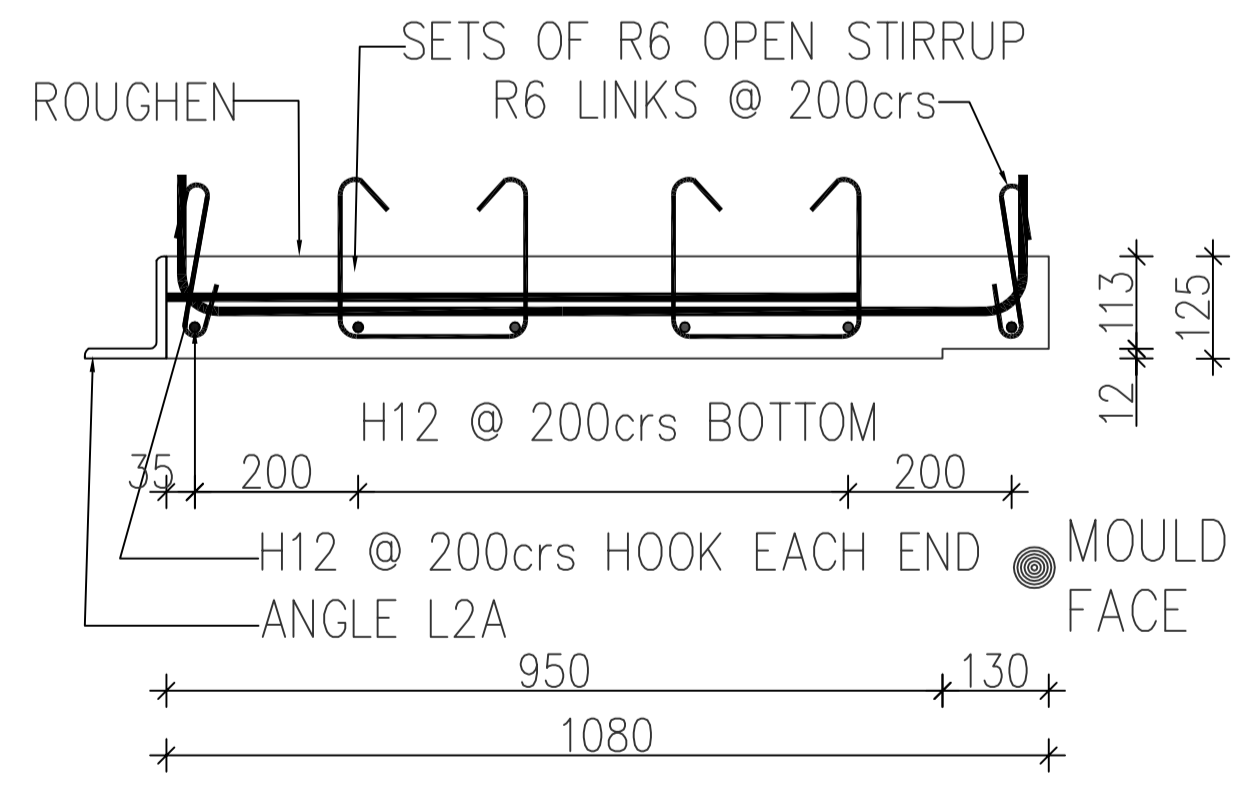
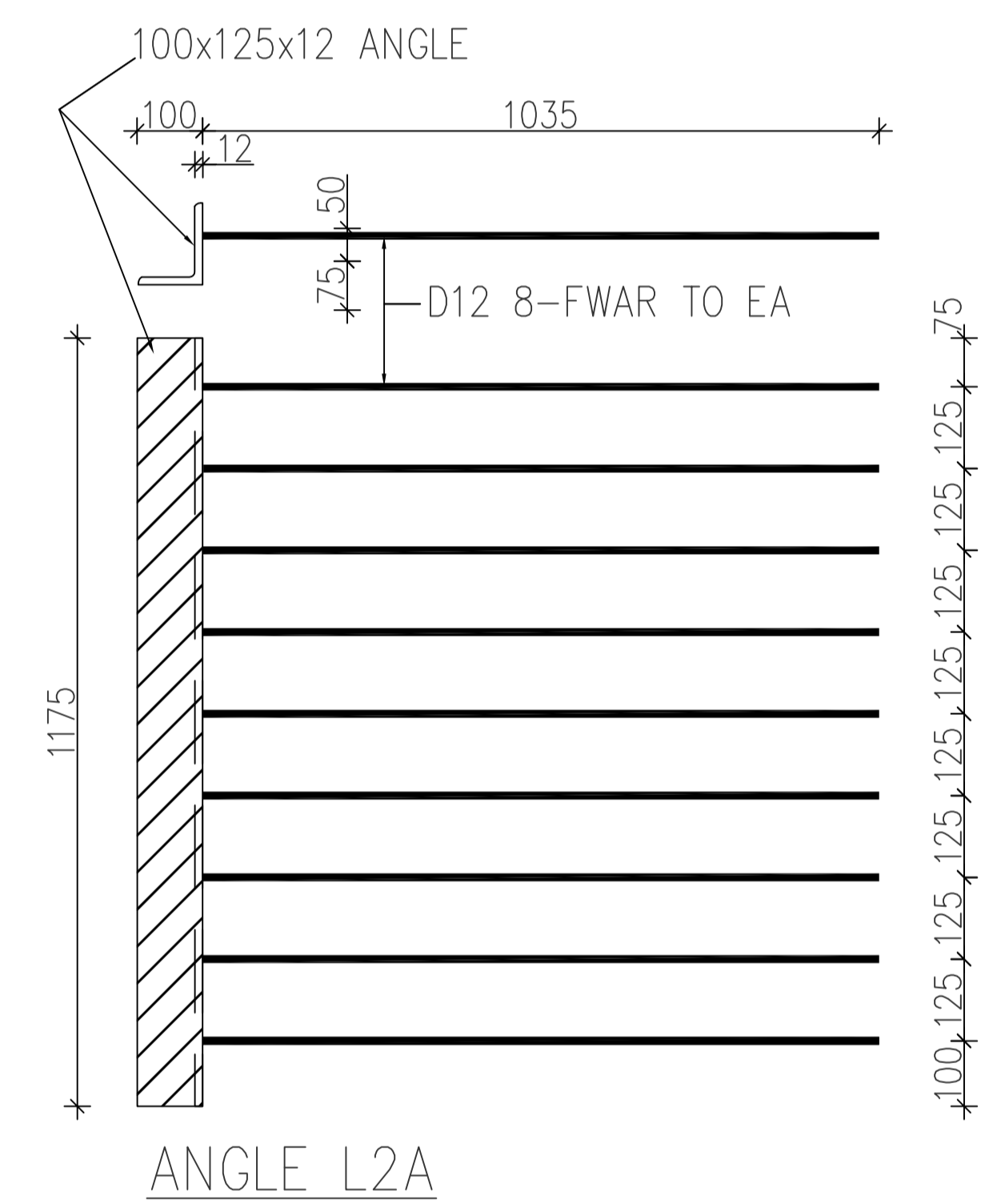
VOL= 0.159m<sup>3</sup>  
 WT= 0.41 t



PLAN AS CAST  
 SCALE 1:20



SECTION A  
 SCALE 1:20



SECTION B  
 1:20

|  |  |  |  |  |                         |  |
|--|--|--|--|--|-------------------------|--|
|  |  |  |  |  | Scales AS SHOWN         |  |
|  |  |  |  |  | Drawn MS                |  |
|  |  |  |  |  | Date 10 JANUARY 2017    |  |
|  |  |  |  |  | Checked By RVB          |  |
|  |  |  |  |  | Job No. APBB            |  |
|  |  |  |  |  | STREET STAIR LANDING 02 |  |
|  |  |  |  |  | SL02 B                  |  |
|  |  |  |  |  | Dwg No. Rev.            |  |