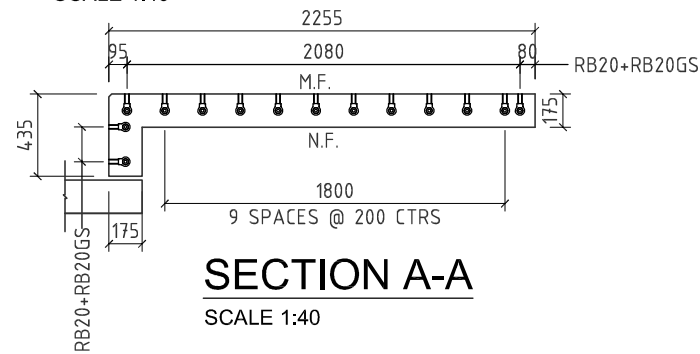
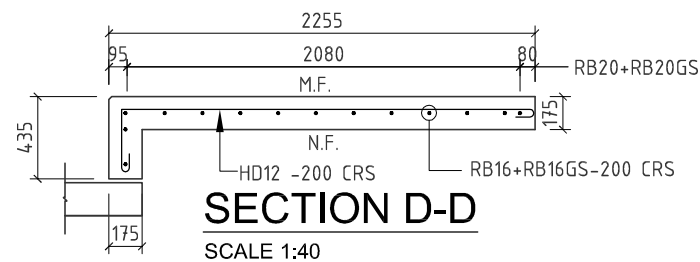


PLAN AS CAST : BT13
175 THICK

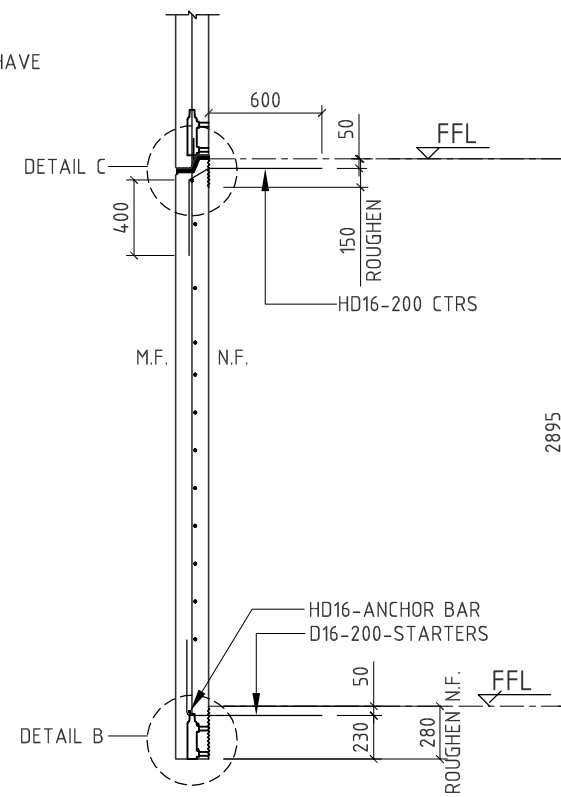
SCALE 1:40



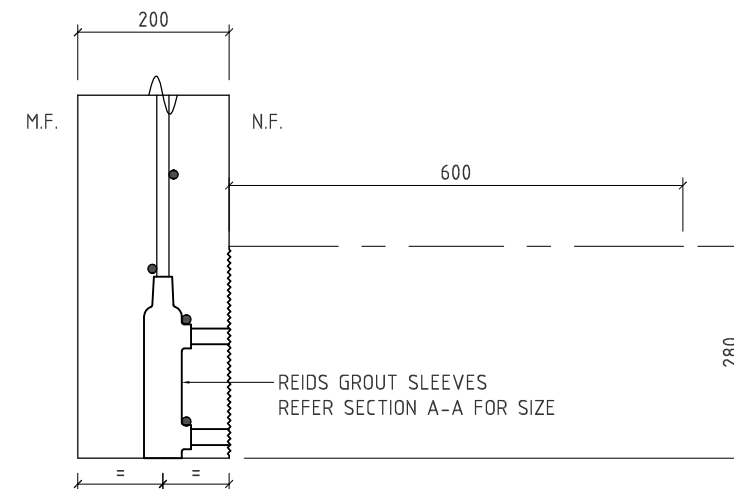
SECTION A-A
SCALE 1:40



SECTION D-D
SCALE 1:40



SECTION B-B
SCALE 1:40



DETAIL B
SCALE 1:10

No.	DATE	REVISION	DRN.
B	18.05.17	REVISED AS PER COMMENTS	HP
A	02.05.17	FOR APPROVAL	HP

VOLUME(m ³)	1.3970
WEIGHT (t)	3.49
THICKNESS	175
AREA (m ²)	7.98
CONC. GRADE	40MPa
FINISH MF/NF	F5/U3
NO OFF	(1) ONE

COMPONENTS	
7HPAWF	2
RG16GS	9
RB20GS	4

SPECIAL NOTE:
Allow 40 cover to all edges
Use chamfers 15x15(mm) all edges
U.N.O.

Job Name:	BETHESDA VILLAGE APARTMENTS	
Client:		

Job No:	Drawing No:	Rev:
BT-8508	BT13	B

Drawing Title:	Unit No.
PANEL DETAIL	BT13