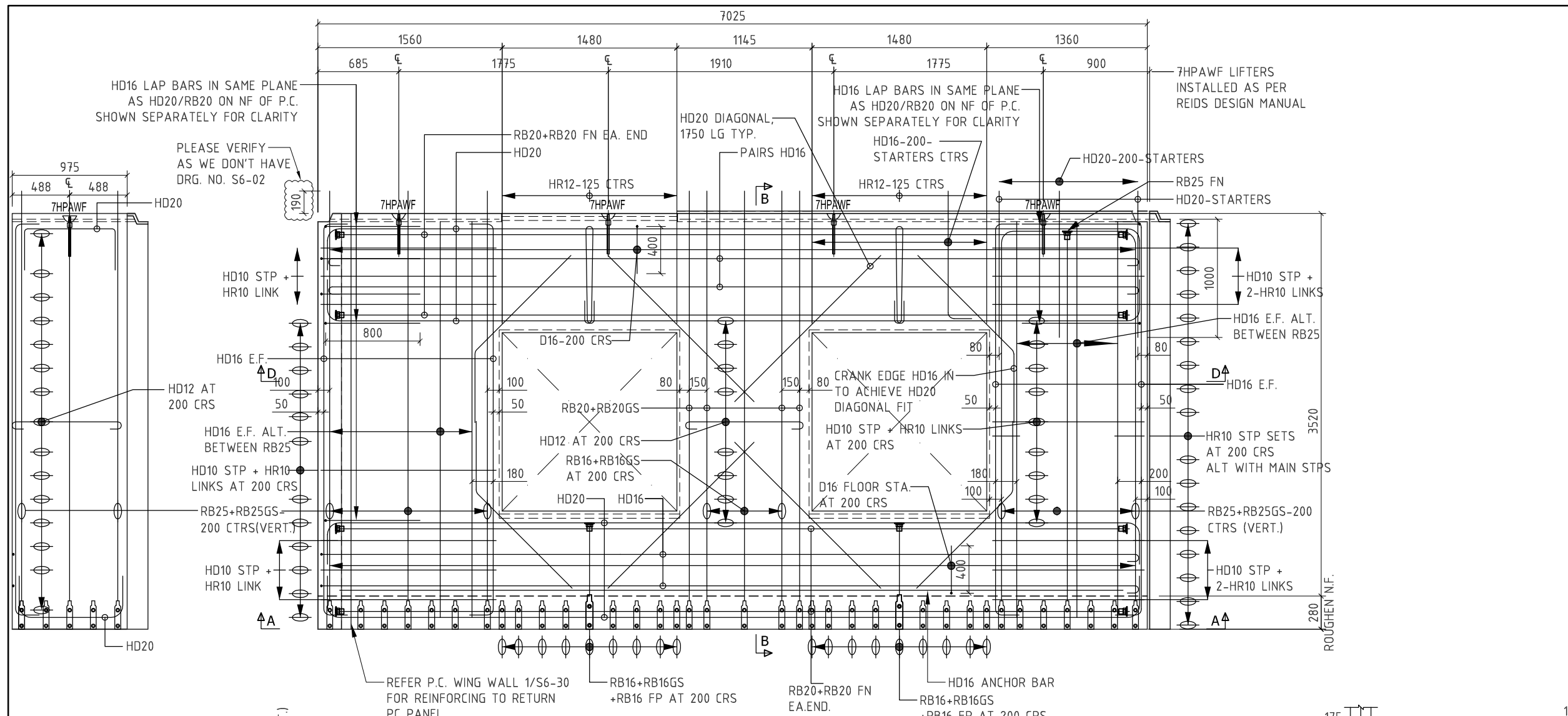
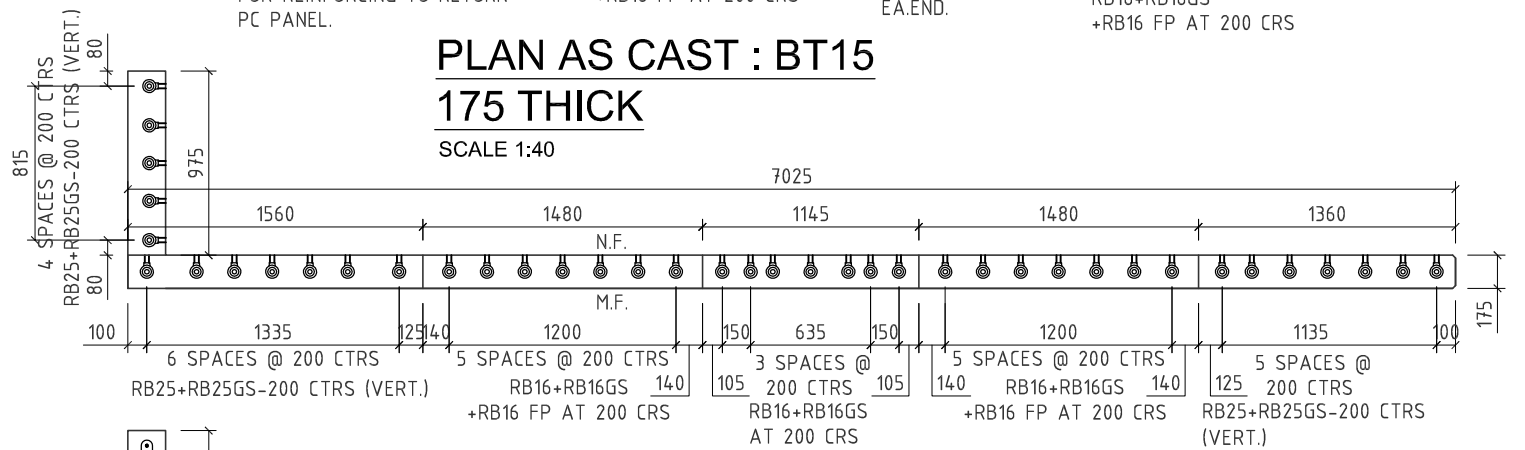


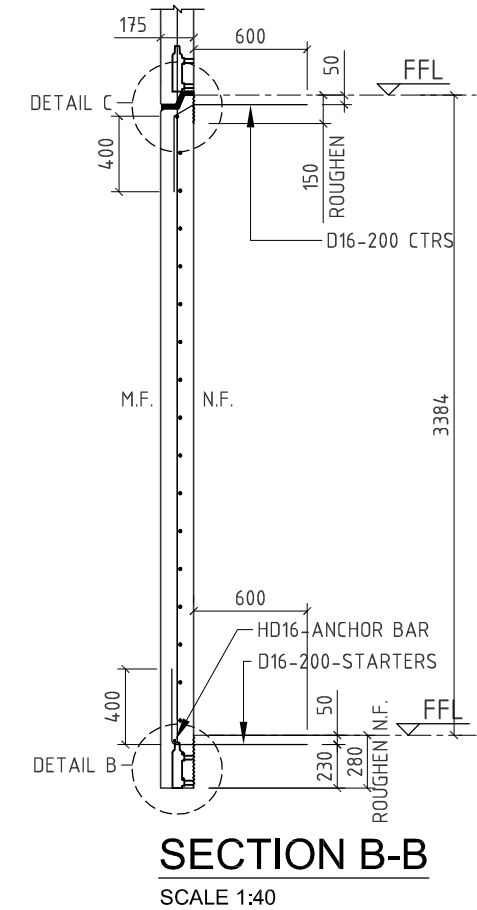
B	18.05.17	REVISED AS PER COMMENTS	HP
A	02.05.17	FOR APPROVAL	HP
No.	DATE	REVISION	DRN.
VOLUME(m <sup>3</sup> )		4.2073	
WEIGHT (t)		10.52	
THICKNESS		175	
AREA (m <sup>2</sup> )		24.04	
CONC. GRADE		40MPa	
FINISH MF/NF		F5/U3	
NO OFF		(1) ONE	
<b>COMPONENTS</b>			
7HPAWF	5		
RB25GS	16		
RB16GS	10		
RB20GS	4		
RB20FN	4		
<b>SPECIAL NOTE:</b>			
Allow 40 cover to all edges Use chamfers 15x15(mm) all edges U.N.O.			



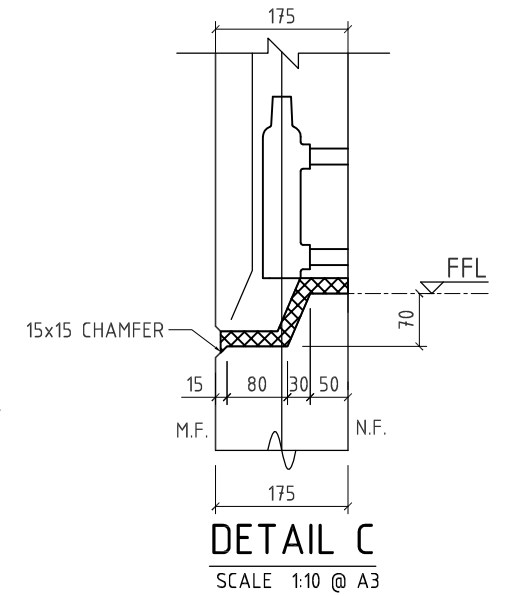
**PLAN AS CAST : BT15**  
**175 THICK**  
 SCALE 1:40



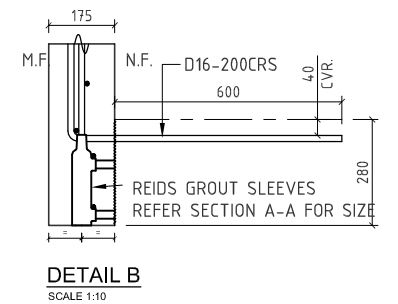
**SECTION A-A**  
 SCALE 1:40



**SECTION B-B**  
 SCALE 1:40



**DETAIL C**  
 SCALE 1:10 @ A3



**DETAIL B**  
 SCALE 1:10

Job Name: <b>BETHESDA VILLAGE APARTMENTS</b>		
Client:		
Job No: BT-8508	Drawing No: BT15	Rev: B
Drawing Title: <b>PANEL DETAIL</b>		Unit No. <b>BT15</b>