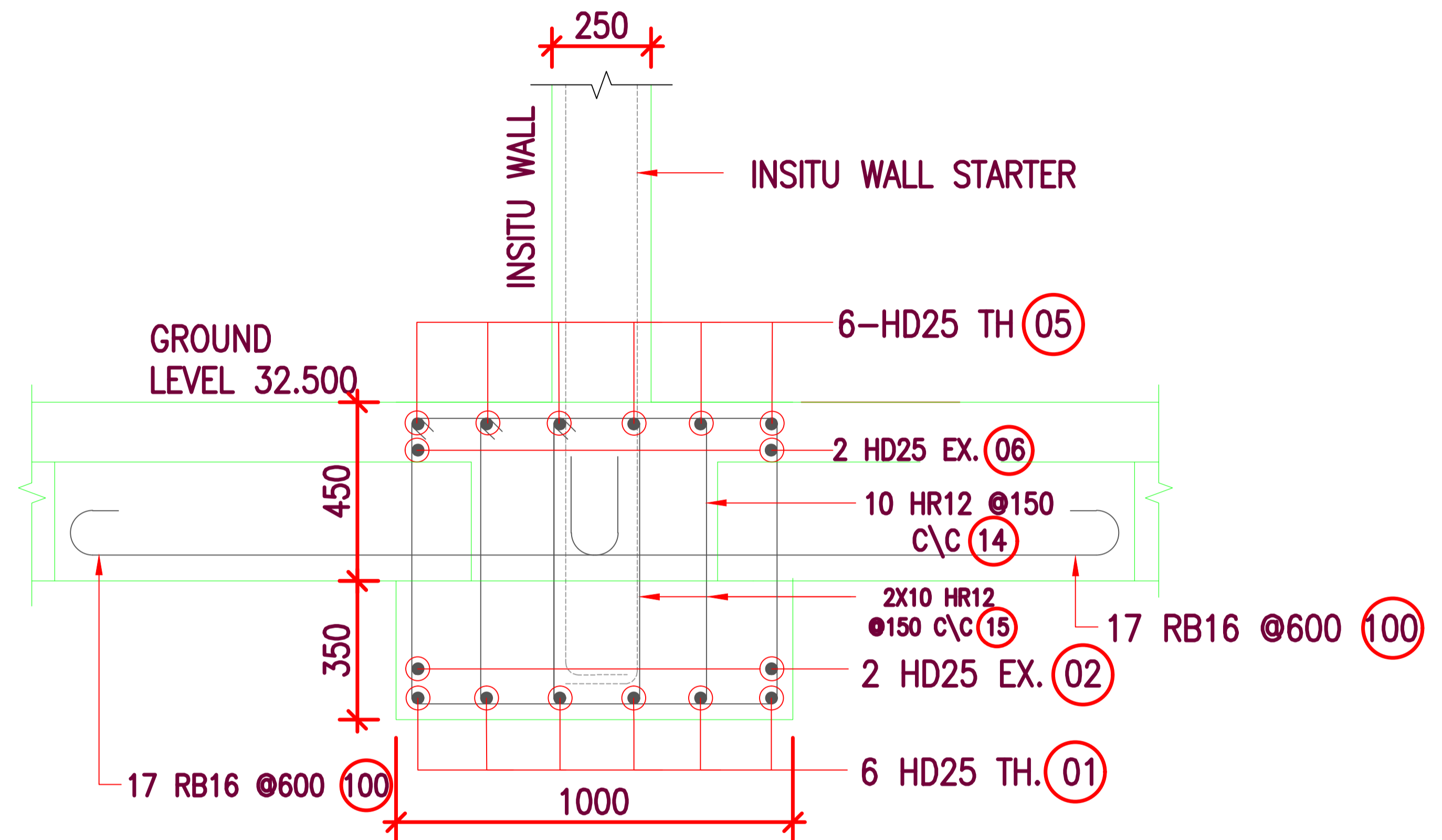


1 SECTION  
(SCALE-1:10)



3 SECTION  
(SCALE-1:10)

KEY LEGEND :-

00 - 00 - 00 - 00 - 00	BAR MEMBER
00 - 00 - 00 - 00 - 00	BAR MARK
00 - 00 - 00 - 00 - 00	SPACING OF BARS
00 - 00 - 00 - 00 - 00	DIA OF BARS
00 - 00 - 00 - 00 - 00	NO OF BARS

17.10.2017	0	FOR APPROVAL
DATE	REV	AMENDMENT

CONSULTANT:

PROJECT:

DRAWING TITLE: 17.10.2017  
GROUND FLOOR BEAM REINFORCEMENT DETAILS  
ON GRID LINE 27\_BLOCK-D

DATE:	17.10.2017	JOB NUMBER:	11970
DESIGNED:	DP	DWG No:	S-551
DRAWN:	DP	REVISION:	0
CHECKED:	HP		
CAD REF:			
SCALE:	As Indicated @ A1 @ A3		