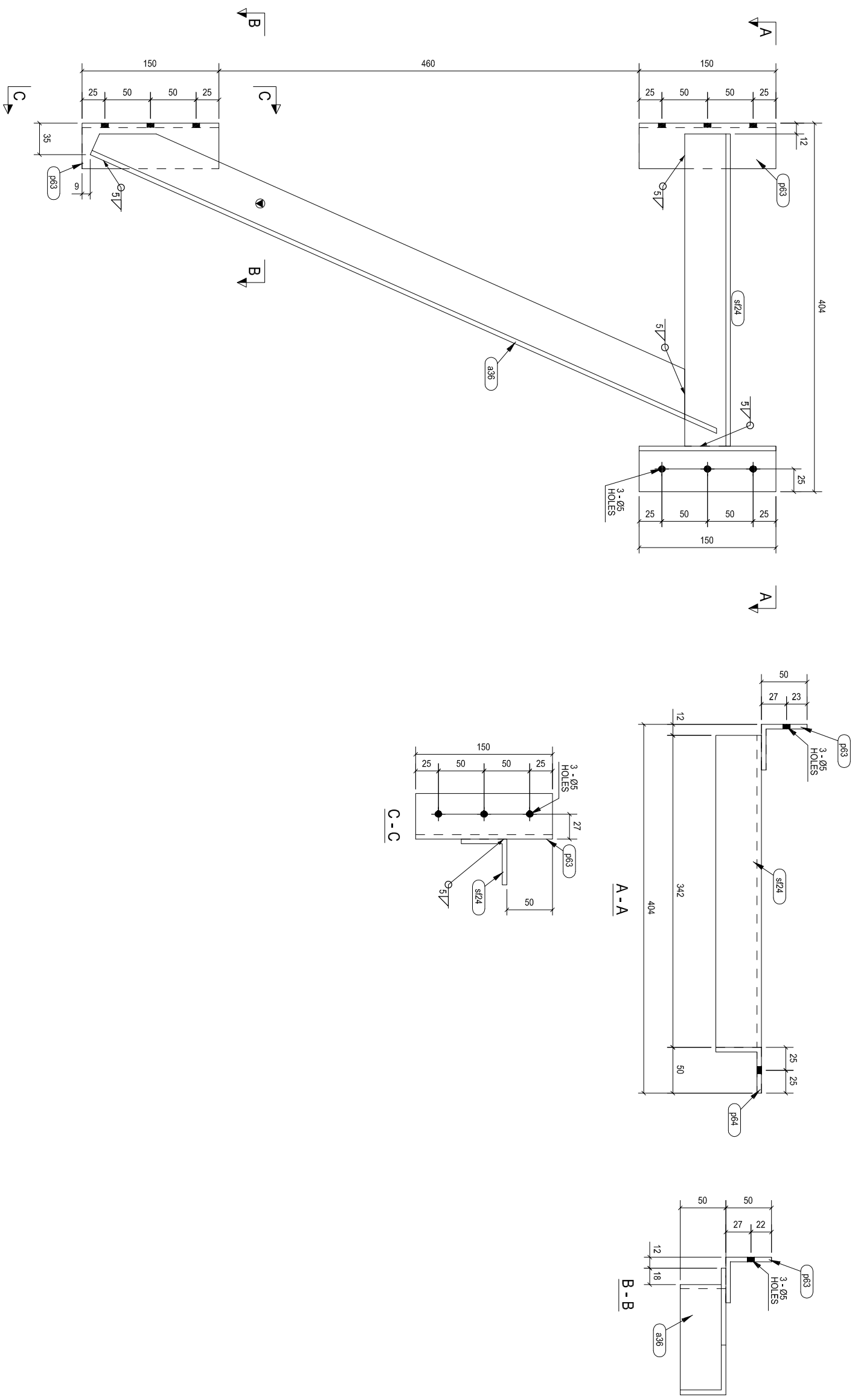
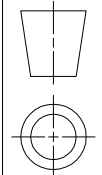


DELIVERY TO:
SITE



LEGEND :-
 = ORIENTATION MARK

STEEL	CUTTING TOL. : +/- 1mm	ACCU. TOL. : +/- 1mm	FAB. TOL. : +/- 1mm
ALUM.	CUTTING TOL. : +/- 0.5mm	ACCU. TOL. : +/- 0.5mm	FAB. TOL. : +/- 0.5mm

QTY. : 1	MATERIAL : EN10025 S275JO OR ABOVE	FINISH : HOT DIP GALVANIZED	WEIGHT : 5.6 KGS
LOCATION :	DRAWN :	DATE :	SCALE : 1:5
	CHECKED :	DATE :	

NO.	NAME	PARTS	QTY.	UNIT	LENGTH (mm)	REMARK
1	s124	L50X50X5	1	NOS.	342	
2	p64	L50X50X5	1	NOS.	150	
3	p63	L50X50X5	2	NOS.	150	
4	a36	L50X50X5	1	NOS.	751	

PROJECT NAME: MIDFELD CONCORSE FIXED LINK BRIDGES FACADE PACKAGE FLB 08(TYPE K)	PROJECT NO. : E2075	ITEM / PART NO. K-08-SFSS5
SHOP DRAWING REF. : ERECTION DRAWING REF. : E2075-FLB-K-08-SFMK01 TO 11	DWG No. E2075-FLB- K-08-SFSS5	REV A